

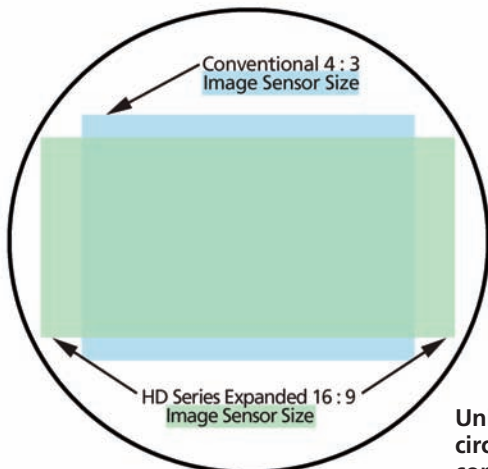
HD Series Megapixel IR TG3Z0312FCS-MPIR



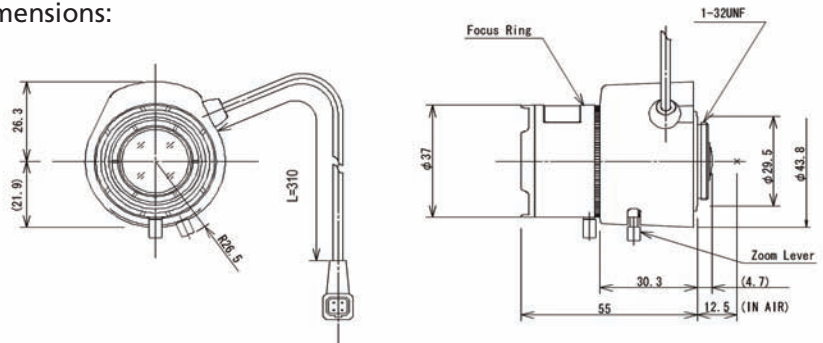
- 3 Megapixel DC Auto Iris Varifocal
- Full HD Format
- Precise Focus Adjustment
- IR Corrected Optics
- Corner Brightness
- Manual Iris Model Also Available

Model No.	TG3Z0312FCS-MPIR			Effective	Front	φ 20.9mm	
Focal Length	3mm - 8mm			Lens Aperture	Rear	φ 10.5mm	
Max. Aperture Ratio	1:1.2			Back Focal	Tele	7.8mm	
Max. Image Format	3.6mm x 4.8mm (φ 6mm)			Length	Wide	7.8mm	
Operation Range	Iris	F1.2 - F360C		Flange Back Length		12.5mm	
	Focus	0.3m - Inf.		Mount		CS-Mount	
	Zoom	3mm - 8mm		Filter Size		—	
Control	Iris	DC Auto Iris		Dimensions		φ 37mm x 48.2mm x 55mm	
	Focus	Manual		Weight		61.0g	
	Zoom	Manual					
Angle of View	D	1/3 type	115.8° - 43.9°	1/4 type	84.8° - 33°		
	H		90.7° - 35.2°		67.3° - 26.5°		
	V		67.3° - 26.5°		50.2° - 19.9°		
Coil	Drive	190 Ω / 20°C					
	Control	855 Ω / 20°C					
Operating Temperature	-10°C - +50°C						

Specifications are subject to change without notice.



Dimensions:



Unique HD optical design provides larger image circle for exceptional brightness and clarity in corners and throughout image plane.