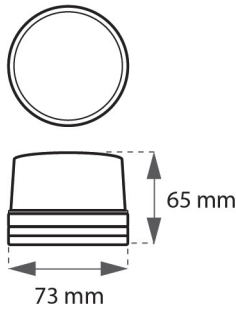


**G-102A****Strobe Light**

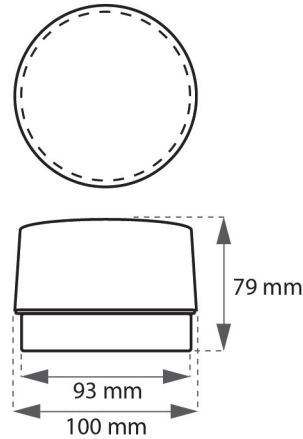
Small Size



<b>Voltage</b>	<b>12 Vdc.</b>
<b>Current Max.</b>	<b>55 mA @ 12 Vdc.</b> <b>50 mA @ 13.8 Vdc.</b>
<b>Flashes</b>	<b>80 / Min.</b>
<b>Install</b>	<b>2 Screw</b>
<b>Color</b>	<b>Red</b>

**G-102****Strobe Light**

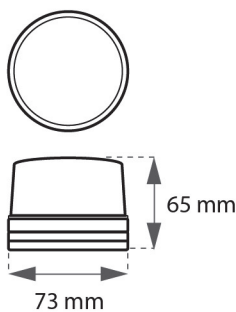
Large Size



<b>Voltage</b>	<b>12 Vdc.</b>
<b>Current Max.</b>	<b>240 mA @ 12 Vdc.</b> <b>330 mA @ 13.8 Vdc.</b>
<b>Flashes</b>	<b>90 / Min.</b>
<b>Install</b>	<b>2 Screw</b>
<b>Color</b>	<b>Red</b>

**G-103A****Strobe Light**

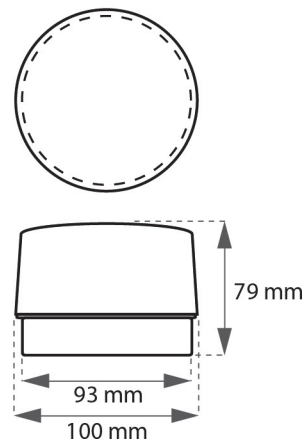
Small Size



<b>Voltage</b>	<b>12 Vdc.</b>
<b>Current Max.</b>	<b>55 mA @ 12 Vdc.</b> <b>50 mA @ 13.8 Vdc.</b>
<b>Flashes</b>	<b>80 / Min.</b>
<b>Install</b>	<b>2 Screw</b>
<b>Color</b>	<b>Blue</b>

**G-103****Strobe Light**

Large Size



Yellow (+) 6 Vdc.  
White (-) Com.  
Red (+) 12 Vdc.

<b>Voltage</b>	<b>12 or 6 Vdc.</b>
<b>Current Max.</b>	<b>240 mA @ 12 Vdc.</b> <b>330 mA @ 13.8 Vdc.</b>
<b>Flashes</b>	<b>90 / Min.</b>
<b>Install</b>	<b>2 Screw</b>
<b>Color</b>	<b>Blue</b>