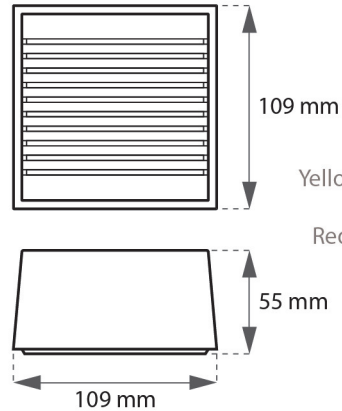


H-200

Indoor Siren with Square Housing



Yellow (+) 12 Vdc. Long Siren
White (-) Com.
Red (+) 12 Vdc. Short Siren

Voltage	12 Vdc.
Power	15W
Sound	One or Double Tone
SPL	115 dB

	Current Max.
Short Siren	700 mA @ 12 Vdc. 800 mA @ 13.8 Vdc.
Long Siren	610 mA @ 12 Vdc. 720 mA @ 13.8 Vdc.

H-207

Indoor Siren

Voltage	12 Vdc.
Current Max.	650 mA @ 12 Vdc. 710 mA @ 13.8 Vdc.
Power	15W
Sound	One Tone
SPL	115 dB

