

Scale 1:1

# Fingerprint Controller / Fingerprint Enroller

AR-331-EF3DO



Web



Youtube

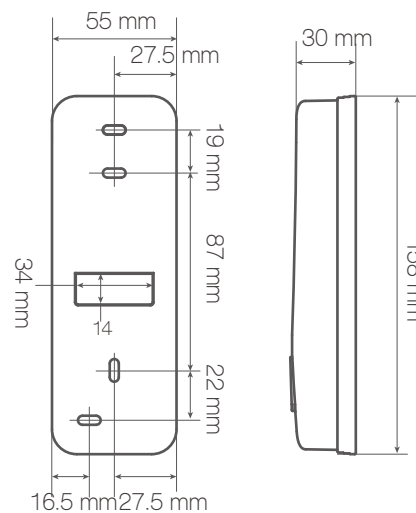
**Dimension (mm)** 158(L)X55(W)X30(H)

**Color**



**Housing Material** PC / Zinc Alloy

## Installation



**SPECIFICATION**

● STANDARD    ⊙ OPTIONAL BY ORDER    ×2 TWO    E EXTERNAL

B: 125Khz / D: 13.56Mhz / S: Dual Band

Model No.			331-EF3DO				
			B	D	S		
Proximity Reader	Communication Interface	Output Selection	WG 24-34				
			WG 24-66	●	●	●	
			RS485	●	●	●	
			RS232				
			USB				
			ABA-II	●	●	●	
	Frequency	125kHz	EM	●		●	
			13.56 MHz	Mifare/NFC		●	●
				DESFire		●	●
				Felica		●	●
ISO15693					●	●	
Controller	Communication	Host	RS-485	●	●	●	
			TCP/IP	⊙	⊙	⊙	
			POE	⊙	⊙	⊙	
		Serial	UART PORT	●	●	●	
			WG Module	●	●	●	
	Frequency / UID Bits	125kHz	EM	32		32	
			13.56 MHz	Mifare/NFC		64	64
				DESFire		64	64
				Felica		64	64
				ISO15693		64	64
	DI/DO	DI	Egress	×2	×2	×2	
			Door State	×2	×2	×2	
			Door Bell				
		RO	Door Lock Relay	●	●	●	
			Alarm Relay	E	E	E	
		DO	Door Bell Output				
			Security Output	●	●	●	
			Arming Output	●	●	●	
			Duress Output	●	●	●	
	Doors / Floors Number			2 / 64			
User Capacity			16000				
Event Log			32000				
Fingerprint	FP Sensor Type		Optical Sensor				
	FRR		<0.1%				
	Image Resolution		450dpi				
	Fingerprint Capacity		1500FP				
	Total Users with FP Capacity		500 User (1-3 fingerprints for each user)				
Identification Speed (1:1000)		<1.5sec					
RF Reading Range			5-15 cm	2-5 cm	2-15 cm		
Others	Tamper Switch		●				
	Tamper Output		●				
	WG In Port		●				
	WG Out Port		●				
	Buzzer		●				
Dimension(mm)			158(L)X55(W)X30(H)				
Weight(g)			Zinc Alloy :216±10 / PC:110±10				
Power Consumption			<5W				
Power Voltage			9~24VDC				
Ingress Protection			IP65				
Enviroment	Operating Temperature		Storage Temperature		Operating Humidity		
	-20 ° C to +65 ° C		-25 ° C to +70 ° C		20% ~ 90%		
				Storage Humidity			
				5% ~ 95%			