

Scale 1:1

Proximity Reader

AR-725-U



(AR-725-UB:125KHz)



(AR-725-UD:13.56MHz)



Web



Youtube

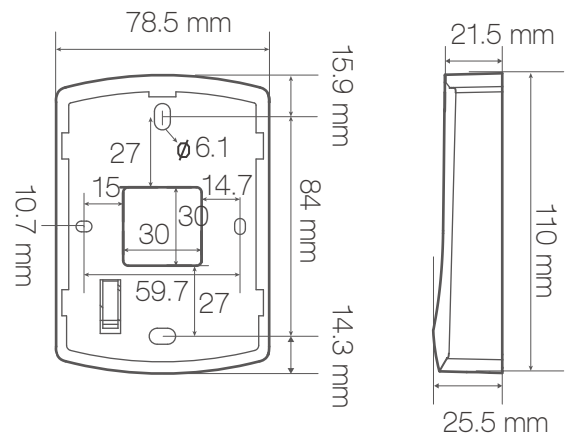
Dimension (mm)

114(L)X78(W)X33(H)

Color



Installation



SPECIFICATION

B: 125Khz / D: 13.56Mhz / S: Dual Band

Model No.			725-U			
			B	D		
Proximity Reader	Communication Interface	Output Selection	WG 24-34	●	●	
			WG 24-66			
			RS485		●	
			RS232		⊙	
			USB			
			ABA-II	●	●	
	Frequency	125kHz	EM	●		
				13.56 MHz	Mifare/NFC	●
					DESFire	●
					Felica	
ISO15693						
Controller	Communication	Host	RS-485			
			TOP/IP			
			POE			
		Serial	UART Port			
	WG Module					
	Frequency / UID Bits	125kHz	EM			
				13.56 MHz	Mifare/NFC	
					DESFire	
					Felica	
					ISO15693	
	DI/DO	DI	Egress			
			Door State			
			Door Bell			
		RO	Door Lock Relay			
			Alarm Relay			
		DO	Door Bell Output			
			Security Output			
	Arming Output					
	Duress Output					
	Doors / Floors Number					
User Capacity						
Event Log						
RFID Reading Range : 725 Plastic			10-15 cm	3-8 cm		
RFID Reading Range: 725-M Metal			5-9 cm	3-5 cm		
Others	Tamper Switch		●			
	Tamper Output		●			
	WG In					
	WG Out		●			
	Buzzer		●			
	QRCode					
Dimension(mm)			725:110(L)X79(W)X26(H) / 725-M :125(L)X89(W)X30(H)			
Weight(g)			725:150±10 / 725-M :400±10			
Power Consumption			<1W			
Power Voltage			9~24VDC			
Ingress Protection			IP55			
Environment	Operating Temperature		Storage Temperature	Operating Humidity	Storage Humidity	
	-20 °C to +65 °C		-25 °C to +70 °C	20% ~ 90%	5% ~ 95%	